



## Miniature Fuses Panel Mount Fuseholders GPM



### GPM PANEL MOUNT FUSE HOLDERS

Ferraz Shawmut GPM Panel Mount Fuse Holders are in sizes to accommodate 5mm x 20mm, 1/4" x 1-1/4", Class CC and Midget (1-1/2" x 13/32") fuses. All 30A holders have glass-filled polyester insulators for extra dependability and trouble-free installation. Patented design allows same body to accept screw or bayonet knob. Flange design allows front or rear mounting. The 10A and 15A holders are for front mounting only.

### Approvals



- GPM-A, GPM-G: UL Recognized, Guide IZLT2, File E118864  
CSA Certified, Class 908501, File AP82191
- All others: UL Recognized, Guide IZLT2, File E52283  
CSA Certified, Class 6225, File 32169

### Recommended Fuse Usage

GPM Fuse Holders will accommodate these Ferraz Shawmut fuses:

- GPM-A: GGM, GGA, GSC
- GPM-G: GSA, GDL, GGC, GSB, GDG, GAB
- GPM-SRR, GPM-BRR, GPM-WTR: ATQR, ATDR, ATMR
- GPM-SRR90, GPM-BRR90, GPM-WTR90: ATQR, ATDR, ATMR
- GPM-S, GPM-B, GPM-WT: } ATQ, ATM, TRM, OTM, GGU,
- GPM-S90, GPM-B90, GPM-WT90: } A13X-2, A25Z-2, A60Q-2, A6Y-2B

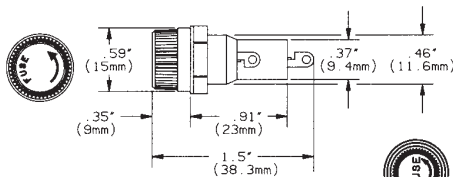


Figure 1

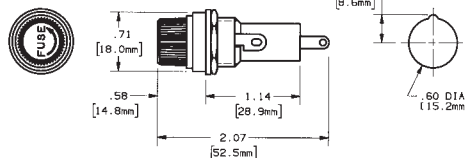


Figure 2

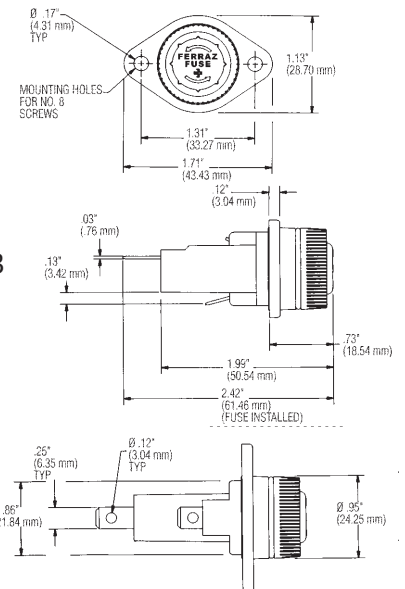


Figure 3

### Catalog Numbers & Descriptions

Cat No.	Ref. No.	Fig.	Cap Type	Amps	Volts	Fuse Type	Terminal Type
GPM-A		1	Screw Knob	10	250	5mm x 20mm	Solder
GPM-G		2	Screw Knob	15	250	1/4" x 1-1/4"	Solder
GPM-S		3	Screw Knob	30	600	1-1/2" x 13/32"	1/4" Quick-connect/Solder
GPM-S90		4	Screw Knob	30	600	1-1/2" x 13/32"	1/4" Quick-connect/Solder, Right Angle
GPM-SRR		3	Screw Knob	30	600	Class CC	1/4" Quick-connect/Solder
GPM-SRR90		4	Screw Knob	30	600	Class CC	1/4" Quick-connect/Solder, Right Angle
GPM-B		3	1/4 Turn Bayonet Knob	30	600	1-1/2" x 13/32"	1/4" Quick-connect/Solder
GPM-B90		4	1/4 Turn Bayonet Knob	30	600	1-1/2" x 13/32"	1/4" Quick-connect/Solder, Right Angle
GPM-BRR		3	1/4 Turn Bayonet Knob	30	600	Class CC	1/4" Quick-connect/Solder
GPM-BRR90		4	1/4 Turn Bayonet Knob	30	600	Class CC	1/4" Quick-connect/Solder, Right Angle
GPM-WT		3	Water-tight Screw Knob	30	600	1-1/2" x 13/32"	1/4" Quick-connect/Solder
GPM-WT90		4	Water-tight Screw Knob	30	600	1-1/2" x 13/32"	1/4" Quick-connect/Solder, Right Angle
GPM-WTR		3	Water-tight Screw Knob	30	600	Class CC	1/4" Quick-connect/Solder
GPM-WTR90		4	Water-tight Screw Knob	30	600	Class CC	1/4" Quick-connect/Solder, Right Angle

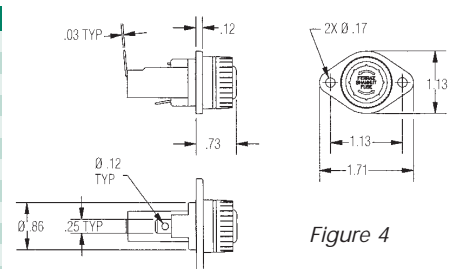


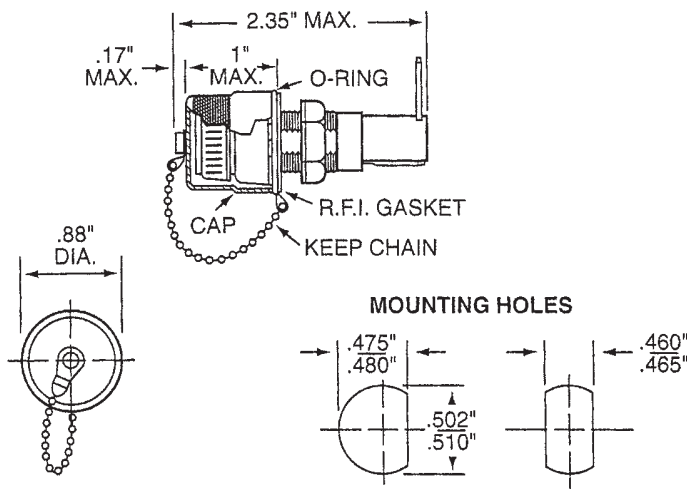
Figure 4



## Miniature Fuses Panel Mount Fuseholders GPM

### GPM-SERIES

RF Shielded/watertight panel mount for 3AG fuses. Radio frequency shielded fuseholders eliminate possible transmission or reception of RF signals through the hole in the chassis in which the fuseholder is mounted. These fuseholders comply with the watertight construction requirement of MIL-F-19207 and the Shock-Safe requirements of IEC 65 and 257. A rubber O-ring and conductive gasket maintain RF shielding and watertight construction.



### Catalog Numbers & Descriptions

Catalog Number	Reference Number	Brass Shielding. Cap finish
GPM-RFN	D230509	NICKEL PLATED
GPM-RFB	C230508	DULL BLACK



## Miniature Fuses Panel Mount Fuseholders GPM



### International shock-safe panel mount type Fuses

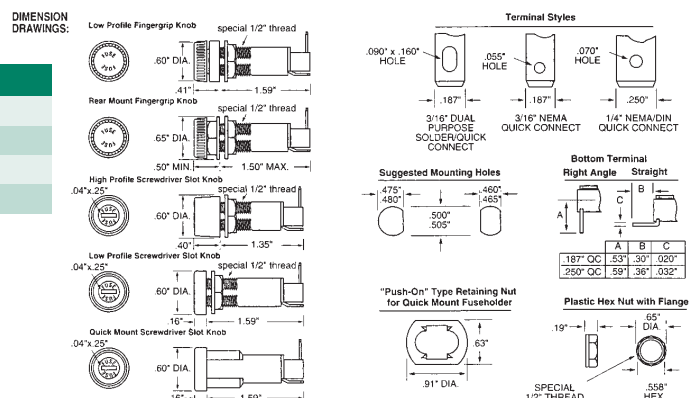
A complete selection of styles satisfy a wide variety of fuseholder design needs. Designed to eliminate the possibility of electrical shock, as defined in IEC standards 65 and 127. The Universal fuseholder body will accept 3AG, 5x20mm, and 2AG fuse sizes depending on knob selected. Permits inventory reduction of bodies and provides knob interchange versatility. Anti-tease feature eliminates circuit interruption when knob is accidentally depressed. Five fuseholder types assure design flexibility. Available with two knob styles – screwdriver slot or fingertip. Available in two terminal styles – dual purpose for soldering or 3/16" NEMA quick connect; and 1/4" NEMA/DIN quick connect. Quick fuse size identification is provided with color-coded letters on finger-grip knob and color-coded screwdriver slot knobs.

### Specifications

- **Electrical:** Insulation Resistance: 10,000 Megohm minimum at 500 VDC. Contact Resistance: Less than .005 ohms average at currents up to 1 ampere.
- **Mounting:** Threaded styles withstand 15 in.-lb. mounting torque. Low profile and High profile panel thickness: .032" min./ .310" max. Quick mount panel thickness: .012" min./ .360" max. Rear mount panel thickness: .012" min./ .260" max.
- **Molded Parts:** Body material: Black glass-filled thermoplastic (UL 94VO) Knob material: Grey, blue or black glass-filled thermoplastic (UL 94VO). Hex Nut Material: Black glass-filled thermoplastic.
- **Knob:** Finger-Grip, Fuse Extractor type or Screwdriver Slot, Fuse Extractor type with plated copper alloy contact clips. Spring loaded, locking mechanism provides anti-tease feature and will not vibrate loose.
- **Terminals:** Copper alloy. Tin-plated. Three styles available. A .187" dual purpose terminal accepts wire for soldering or a Quick-Connect receptacle. .187" terminal for NEMA Quick-Connect and .250" terminal for NEMA/DIN Quick-Connect available.
- **Ambient Temperature:** -40°C to +85°C.
- **Hardware:** Threaded style fuseholders are supplied with thermoplastic hex nut unassembled. Quick Mount style fuseholders are supplied with a push-on type retaining nut, black oxide finish, unassembled.

### Approvals

	3AG	5x20mm	2AG
	20A 250V	10A 250V	10A 250V
CSA	20A 250V	10A 250V	10A 250V
SEMKO	6.3A 250V	10A 250V	-
VDE	10A 250V	10A 250V	-

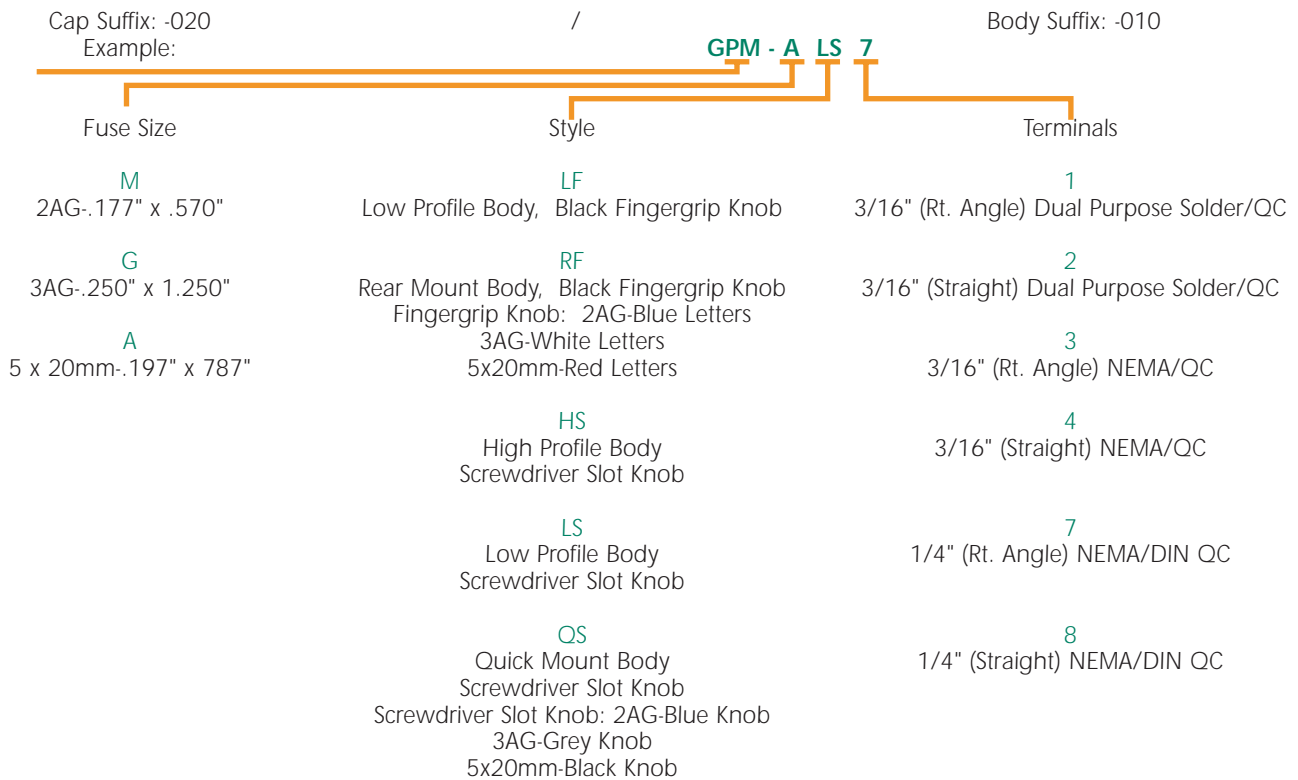




## Miniature Fuses Panel Mount Fuseholders GPM

International shock-safe  
panel mount type Fuses

### Ordering Information:



### To Order Knob Only:

Fuse size	Fingergrip knob		screwdriver slot knob	
	Cat. number	Ref. Number	Cat.number	Ref. Number
2AG	GPM-MLF1-020		GPM-MLS1-020	
3AG	GPM-GLF1-020		GPM-GLS1-020	
5x20mm	GPM-ALF1-020		GPM-ALS1-020	

### To Order Body Including Nut(s) Only:

Terminal style	Bottom terminal	Low profile Body		High Profile Body		Rear Mount Body		Quick Mount Body	
		Cat.No***	Ref.No	Cat.No	Ref.No	Cat.No	Ref.No	Cat. No	Ref.No
3/16" Dual Purpose	(Rt. Angle)	GPM-ALF1-010		GPM-AHS1-010		GPM-ARF1-010		GPM-AQS1-010	
3/16" Dual Purpose	(Straight)	GPM-ALF2-010		GPM-AHS2-010		GPM-ARF2-010		GPM-AQS2-010	
3/16" NEMA QC	(Rt. Angle)	GPM-ALF3-010		GPM-AHS3-010		GPM-ARF3-010		GPM-AQS3-010	
3/16" NEMA QC	(Straight)	GPM-ALF4-010		GPM-AHS4-010		GPM-ARF4-010		GPM-AQS4-010	
1/4" NEMA/DIN QC	(Rt. Angle)	GPM-ALF7-010		GPM-AHS7-010		GPM-ARF7-010		GPM-AQS7-010	
1/4" NEMA/DIN QC	(Straight)	GPM-ALF8-010		GPM-AHS8-010		GPM-ARF8-010		GPM-AQS8-010	

\*\*\* Low profile body will accept either Fingergrip or Screwdriver Slot Knob.

Note: Consult factory for ordering combined packages with knob and body.